

If you use an electric space heater in your home, please be aware of two key issues. Using a space heater can cause a significant increase in your monthly bill. Also, many house fires that occur each winter are caused by improper use of space heaters.

On energy consumption, be aware that space heaters are energy hogs. If you do the calculation on the cost of operation, you'll often be surprised how much your space heater can increase your monthly electric bill.

A typical portable electric space heater consumes anywhere from 1,000 to 1,500 watts per hour. Some people run space heaters during day and night hours. By the time your bill arrives, the hourly costs add up.

For example, a 1,000-watt space heater operating 12 hours per day at a cost of 10 cents per hour will add \$36 more to your monthly electric bill.

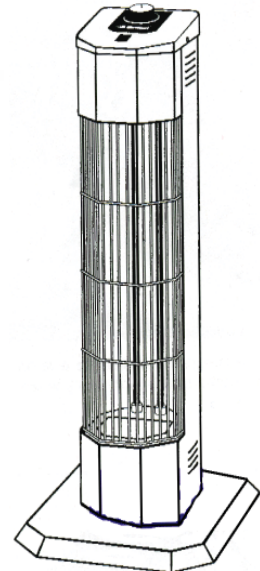
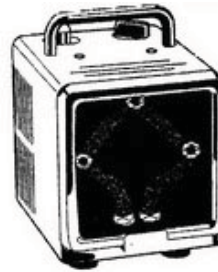
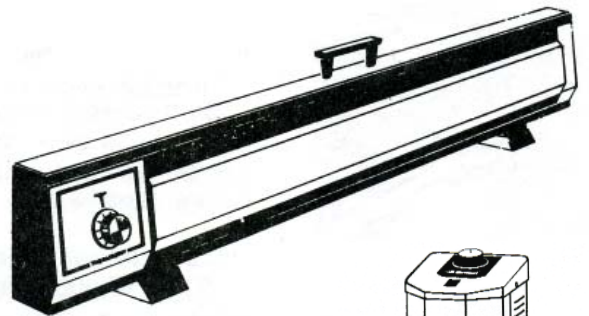
If you use a 1,500-watt space heater for the same amount of time, your bill would jump more than \$54 each month.

To figure out the cost of operating a space heater you need to multiply the kilowatts used per hour times the cost per kilowatt hour for electricity. Multiply that by the number of hours that the heater is actually on.*

If the cost does not deter you, remember it is critically important to use space heaters safely. Make sure your unit is equipped with automatic shut-off features and heating element guards. Place your space heater out of high-

traffic areas and on level, hard, non-flammable floor surfaces — NOT on carpets, furniture or countertops.

Remember to keep space heaters at least three feet from all flammable items such as draperies, blankets and sofas.



* To calculate the kilowatts used, divide the space heater's wattage by 1,000. A 1,500-watt unit uses 1.5 kilowatts per hour.